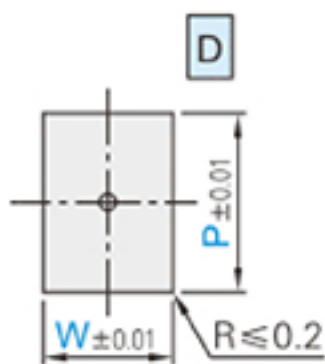
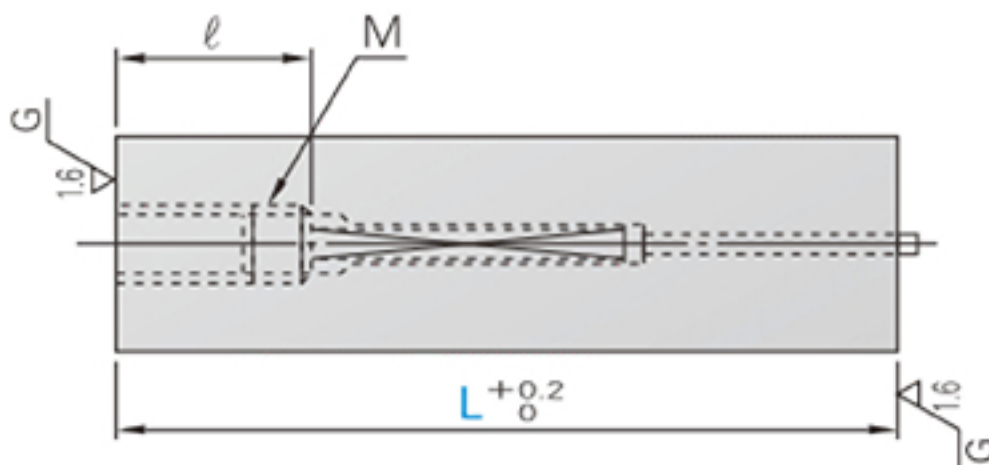
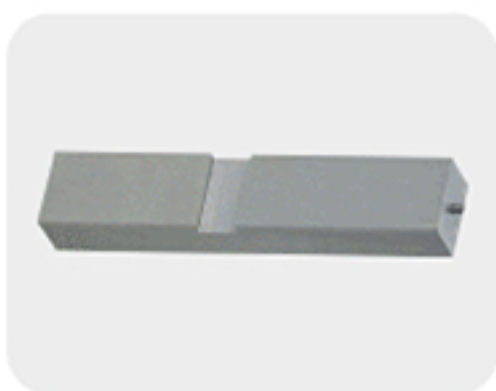


WHJMC
WWSJMC
WPHJMC



W ≤ P
R = 0

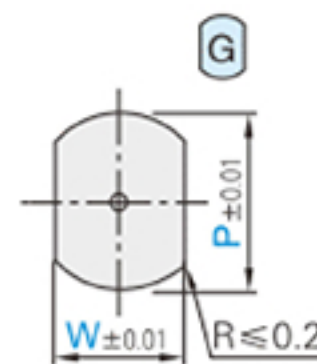


W ≤ P
0.15 ≤ R < W/2
W - 2R ≥ 1 0.01mm



W < P

P ≤ 10	P - W ≥ 1
10 < P ≤ 20	P - W ≥ 2
20 < P ≤ 30	P - W ≥ 3



W < P

P ≤ 10	P - W ≥ 1
10 < P ≤ 20	P - W ≥ 2
20 < P ≤ 30	P - W ≥ 3

Material	HRC	Type			Catalog No.
		WHJMC	WWSJMC	WPHJMC	
SKD11	60~63HRC	WHJMC			D R E G
SKH51	61~64HRC	WWSJMC			
	64~67HRC	WPHJMC			

ORDER Catalog No. - L - P - W - R (or R) 0.01mm
WHJMCD - 80 - P15.00 - W7.25

Catalog No.	Type	刃口形状	L	P					M	ℓ	
				W	5.01 10.00	10.01 15.00	15.01 20.00	20.01 25.00			25.01 30.00
WHJMC WWSJMC WPHJMC	D E R G		40	5.01~ 6.00	○	○	○	○	○	4	12
			50	6.01~ 8.00	○	○	○	○	○	5	
			60	8.01~10.00	○	○	○	○	○	6	
			70	10.01~15.00		○	○	○	○	8	
			70	15.01~20.00			○	○	○		
			80	20.01~25.00				○	○		

